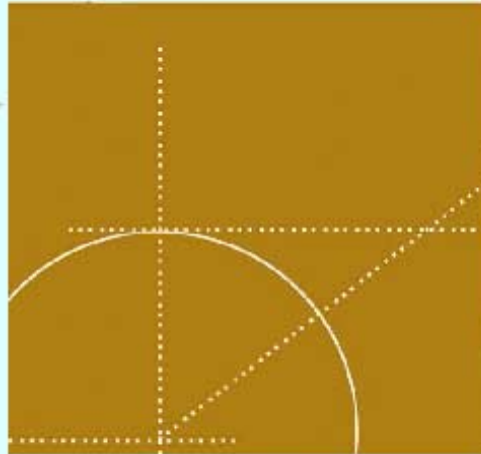




*Cirocomm, the Future is Wireless*



**REV 1.0**

## **GPS Receiver/CT-5530 Application Note**

### **Hardware Reference Design**

This document describes the overall hardware design of CT5530 and the antenna requirements.

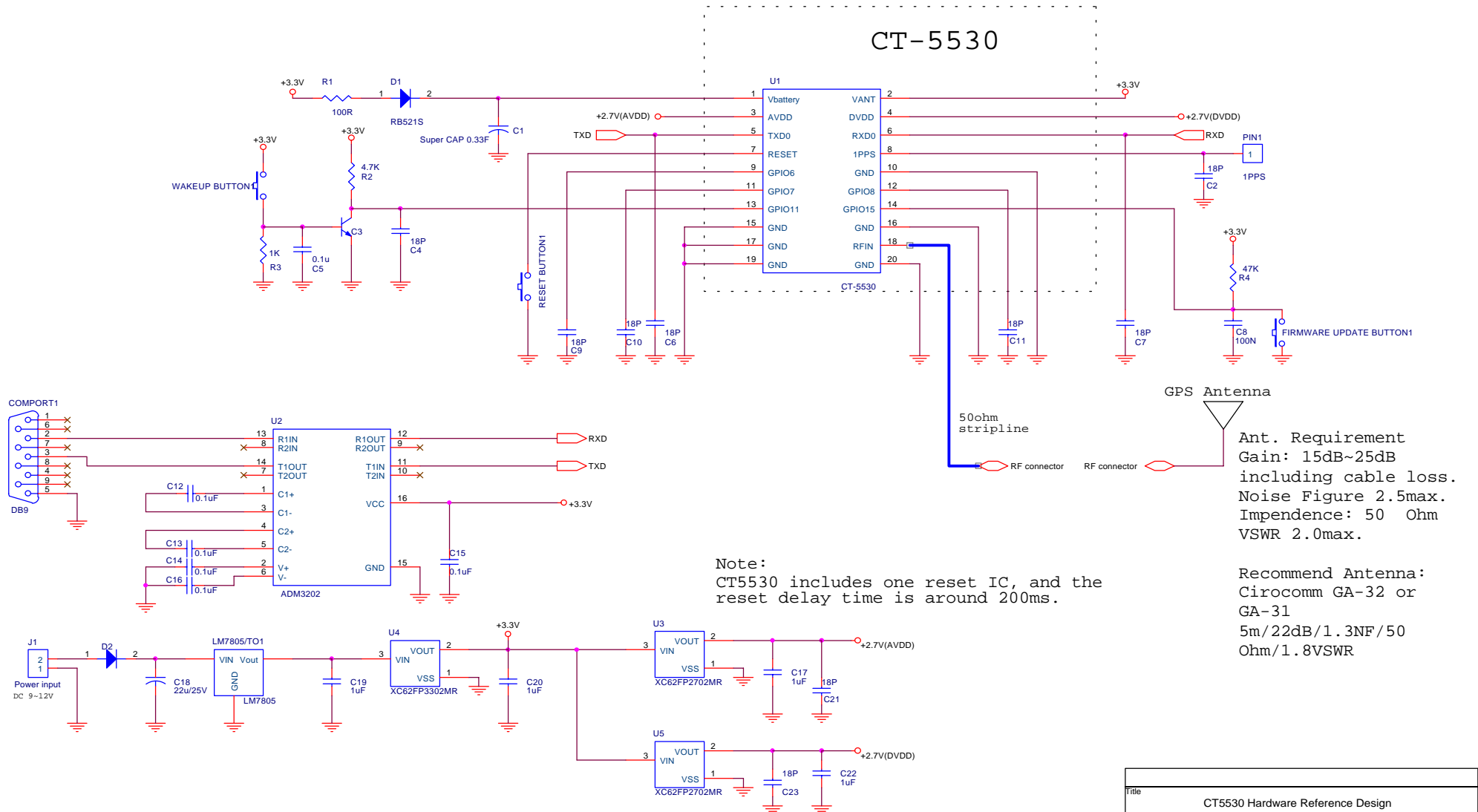
September 3<sup>rd</sup>, 2003

Johnny and Fred

Cirocomm.

AN07CT55300-030

# CT-5530 Hardware Reference Design



Title		
CT5530 Hardware Reference Design		
Size	Document Number	Rev
A3	AN070C55300-030	A
Date:	星期三, 九月 03, 2003	Sheet 1 of 1